

AC-250

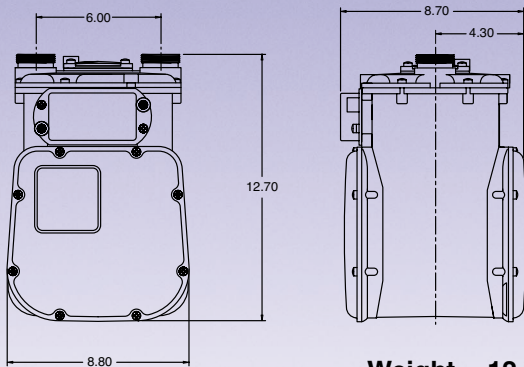
the utility standard



AC-250

FEATURES

- Die-cast aluminum case
- Oil-impregnated, self-lubricating bearings
- Exclusive convoluted diaphragm
- Rigid, reinforced flag rods
- Graphite-filled phenolic valves
- Long-life grommet seals
- Temperature compensation available from -30° F to 140° F
- 10 LT, 20 LT, 30 LT and #1 Sprague connection sizes
- Pointer or odometer index
- 5 PSI MAOP and 250 cfh at 1/2-inch w.c. differential
- Automatic meter reader compatibility



Weight = 12 lbs.

Reference Materials

Installation Instructions..... AIM-3715
 Repair Parts List RPL-3835

AMC Quality System

QMI is Accredited by:



ISO 9001 Certified
 Certificate #006697



Dutch Council
 for Accreditation

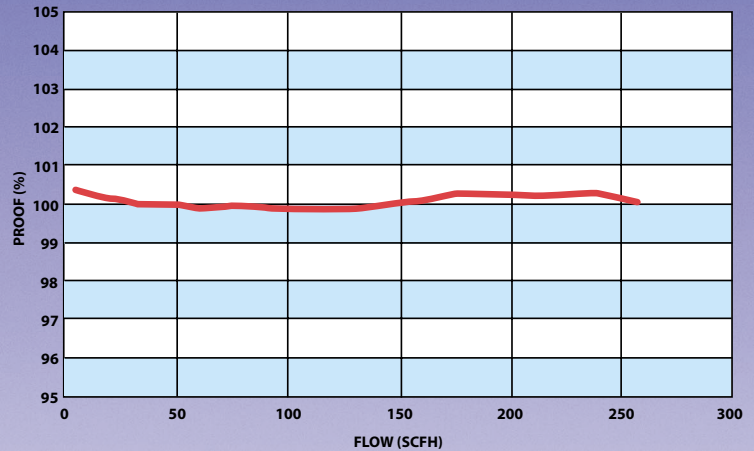
APPLICATIONS — The American class AC-250 is the industry's most cost-effective gas meter for residential applications. It is unequaled for accuracy retention and for life cycle maintenance economies.

Rated Gas Capacity For 0.60 S.G. Gas

Inlet Pressure PSIG	Inches W.C. Differential	Capacity SCFH
.25	1/2"	250 ^{1,2}
.25	2"	565
1	2"	583
2	2"	600
5	2"	656
10	2"	742

1 - Propane - 158 cfh
 2 - Butane - 138 cfh

AC-250 Proof Curve



Order Information:

Regular or Temperature Compensated: _____
 U.S. or Metric: _____
 Size of Connection: _____
 Type of Index: _____
 Proof Preference: 100 +/- 1% _____
 Standard Color – ASA #49 Grey: _____

Contact American Meter with any questions or orders at the address and phone number below.

American Meter Company has a program of continuous product development and improvement and, therefore, the information in this bulletin is subject to change or modification without notice.



Measurement Engineers Since 1836

Yesterday...Today...Tomorrow

300 Welsh Road, Building One
 Horsham, PA 19044-2234
 Phone: 215/830-1800
 Fax 215/830-1890
 www.americanmeter.com



275 Industrial Road
 Cambridge, Ontario
 Canada N3H 4R7
 Phone: 519/650-1900
 Fax 519/650-1717
 www.americanmeter.com

